

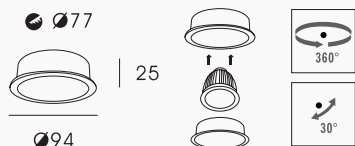


TECHNICAL DATASHEET

RECESSED SPOT HOLDER PROLIGHT+ IN ALUMINUM

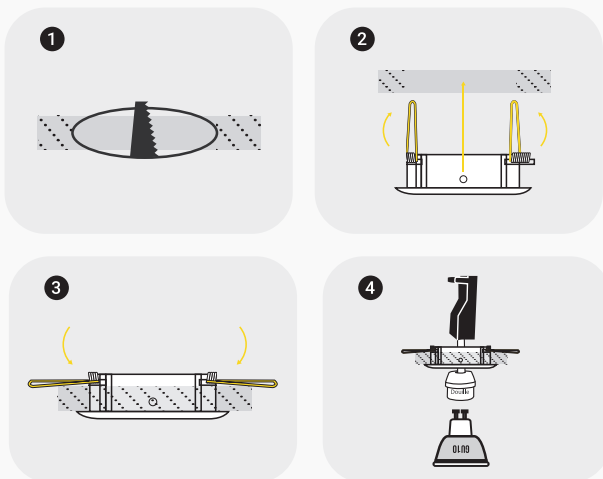
DESCRIPTION :

Recessed square spot holder compatible with GU10 or MR16 LED bulb. This type of orientable spotlight offers a very design look in your interior, either in the living room, kitchen, bedroom, hallway, stairs or professional spaces such as shops and offices. You can equip the spotlight with a GU10 bulb of the power of your choice, which must respect the standard dimension.



INSTALLING :

- 1 Drill the ceiling
- 2 Place the the support in the drilling diametre ceiling
- 3 Fold the wings back onto the ceiling.
- 4 Clip the bulb into the spot holder

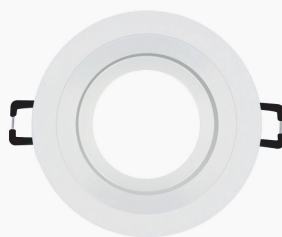


ITEM

FEATURES

SKU	PRYC185A1622
COLOR	White
Material	Aluminum
Size	φ94 × H25
Cut-out	φ77
Bulb	GU10 I MR16
Functionality	Orientable
Instal	recessed
Application	Residential I Commercial I Administrative & Office
certificate	CCC, CE, RoHS, SAA, SASO

SPOT HOLDER :



1 WHITE

