



TECHNICAL DATASHEET

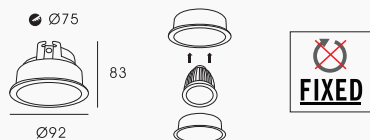
RECESSED SPOT HOLDER PROLIGHT+ IN ALUMINUM

DESCRIPTION :

Recessed round spot holder compatible with GU10 or MR16 LED bulbs. The design of this antifog downlight is modern and highly suitable for any environment.

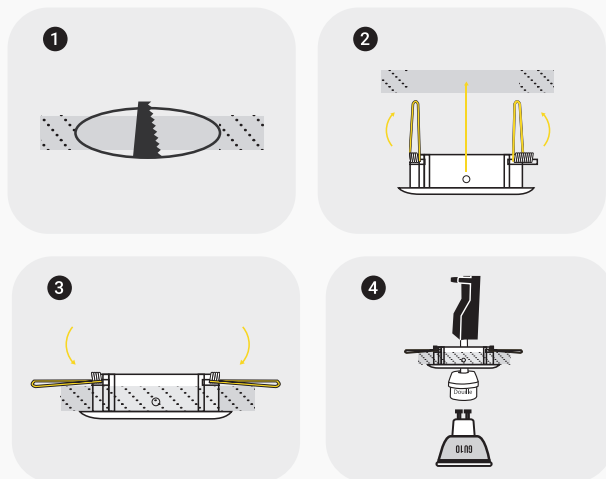
The LED recessed downlight is water-resistant with an IP value of IP44. This makes the downlight more suitable for bathrooms, kitchen .

You can equip the spotlight with a GU10 bulb of the power of your choice, which must respect the standard dimension.



INSTALLING :

- 1 Drill the ceiling
- 2 Place the the support in the drilling diametre ceiling
- 3 Fold the wings back onto the ceiling.
- 4 Clip the bulb into the spot holder



SPOT HOLDER :



1 WHITE



ITEM	FEATURES
SKU	PRYC434A1622
COLOR	White
Material	Aluminum
Size	φ92 × H83
Cut-out	φ75
Bulb	GU10 I MR16
Functionality	Fixed
Instal	recessed
Application	Residential I Commercial I Administrative & Office
certificate	CCC, CE, RoHS, SAA, SASO