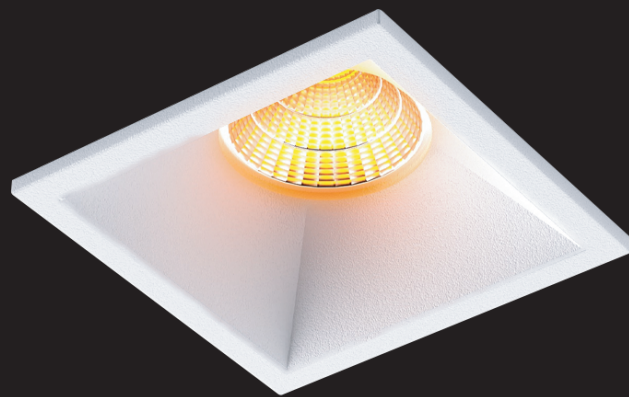


# PROLIGHT+ BASIC+

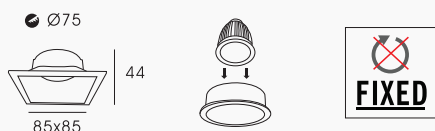


## TECHNICAL DATASHEET

### RECESSED SPOT HOLDER PROLIGHT+ IN ALUMINUM

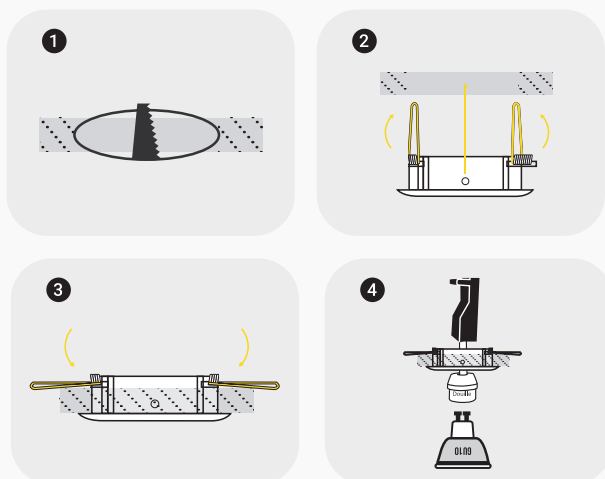
#### DESCRIPTION :

Recessed square spot holder compatible with GU10 or MR16 LED bulbs. This type of fixed spotlight offers a very design look in your interior, either in the living room, kitchen, bedroom, hallway, stairs or professional spaces such as shops and offices. You can equip the spotlight with a GU10 bulb of the power of your choice, which must respect the standard dimension.



#### INSTALLING :

- 1 Drill the ceiling
- 2 Place the the support in the drilling diametre ceiling
- 3 Fold the wings back onto the ceiling.
- 4 Clip the bulb into the spot holder



#### ITEM

#### FEATURES

SKU	PRYC510A1622
COLOR	Black   White
Material	Aluminum
Size	85 × 85 × H44
Cut-out	φ75
Bulb	GU10   MR16
Functionality	Fixed
Instal	Recessed
Application	Residential   Commercial   Administrative & Office
Certificate	CCC, CE, RoHS, SAA, SASO

#### SPOT HOLDER :



1 WHITE



2 BLACK

