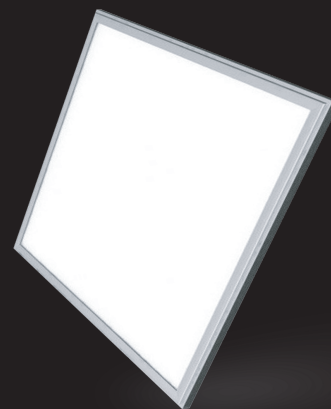


PROLIGHT

BASIC+



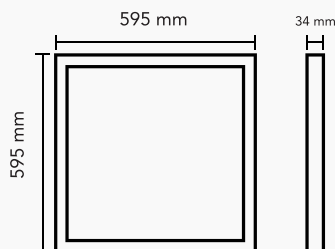
DATA SHEET

PANEL LED LIGHT PROLIGHT+ BACKLIGHT 60*60 CCT

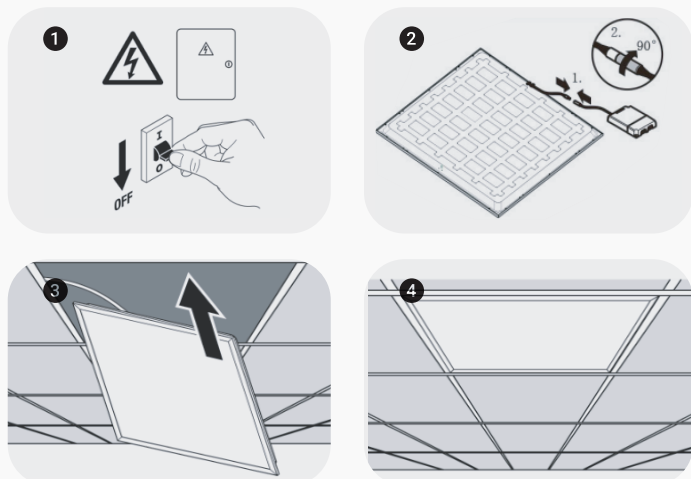
DESCRIPTION :

The 40W CCT Switchable Back-Lit LED panel light comes in 3000K/4000K/6000K and is suitable for Internal applications. It offers a sleek, modern ambience to commercial buildings. Backlit Panels are an ideal choice for hallways, stairs, and entrances in hospitals, nursing homes, schools, and any other commercial or domestic environments.

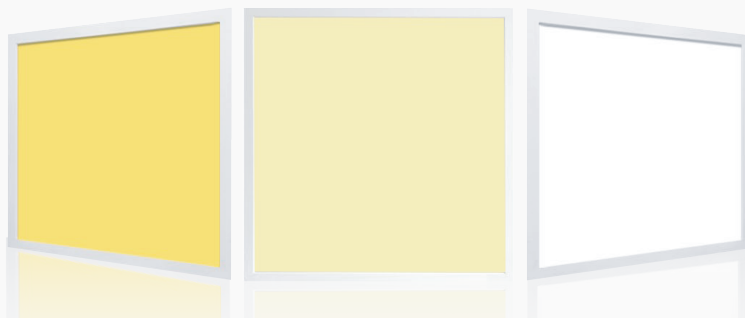
CCT Switchable Back-Lit LED panel light is a long-lasting, and easy-to-install solution for providing quality light distribution, this luminaire will be saving you a considerable amount in energy bills by choosing technology that's more ecological, it's of higher quality, and lasts 10 times longer than traditional lighting systems. The thin, lightweight design features provide easy installation in both retrofit and new construction applications.



INSTALL:



ITEM	FEATURES
SKU	PRGLMBPL6060A40WCCT
Led	SMD 2835
Driver	Philips flicker free
Size	595 x 595 x 34 mm
Power	40w
Protection rating	IP 40
CRI	>80
Input	220 - 240v 50-60Hz
Beam angle	90° /120°
Lumens	4800lm ± / 8%
CCT	3000K - 4000K - 6000k
Operating temperature	-20°C ~ -50°C
Application	Residential Commercial Administrative & Office
Certificate	CCC, CE, RoHS, SAA, SASO



3000K - 4000K - 6000K

