

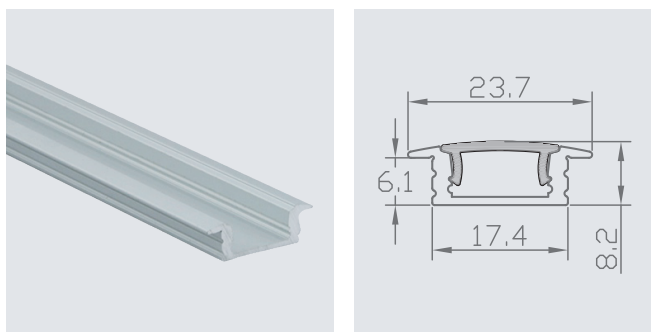
PROLIGHT+ BASIC



DATA SHEET

LINEAR PROFILE LED PRA2507 PROLIGHT+

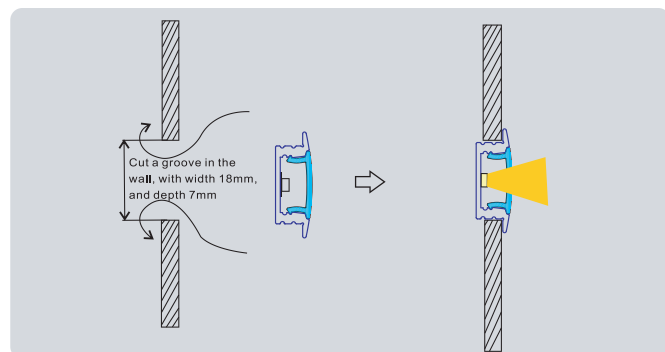
LED PROFILE :



SPECIFICATIONS :

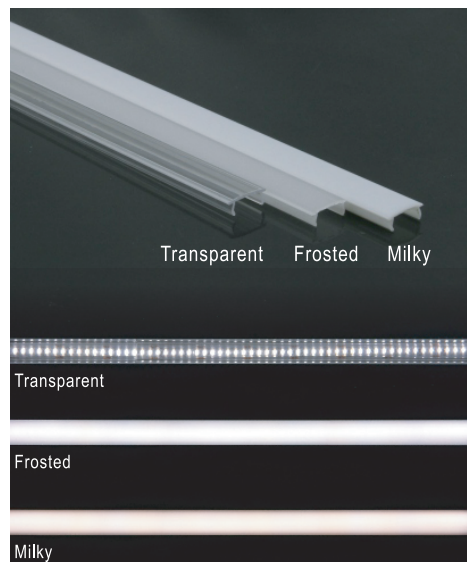
Application	Apparent, Encastrable
Material	Aluminium 1060 & PC
Surface processing	Silver Anodization
Length	3m
Color	Argent
Cover	Frosted - Milky
Accessories	Plastic end caps, Mounting clip
Strip Led	Jusqu'à une largeur de 17mm (Il est préférable d'utiliser 120pcs led/m pour éviter les points).
Power	Max 14.4W/M
IP Rating	IP20

SERVICE ENVIRONMENT AND INSTALLATION:



ACCESSORIES :

LED Profile in Aluminum 1~3meter



PC Cover

