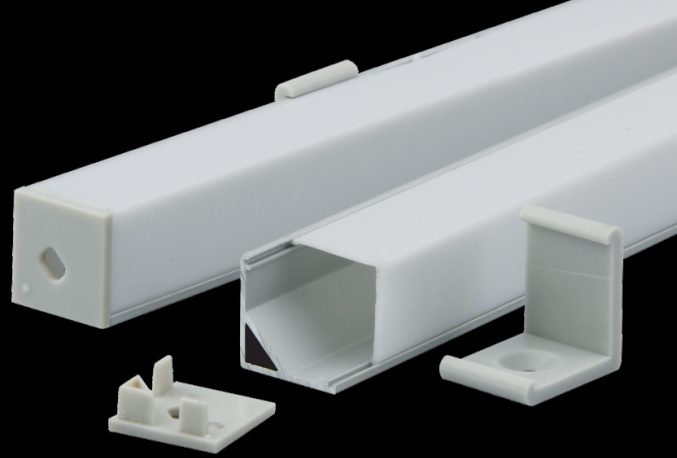


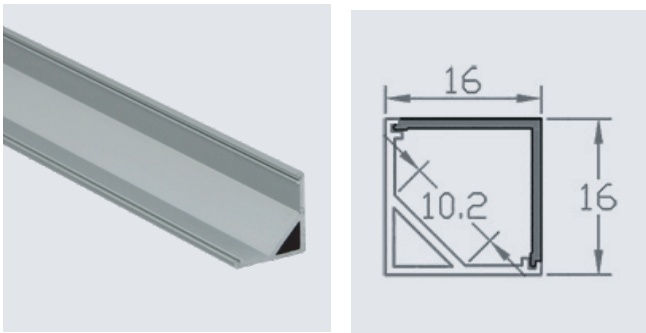
PROLIGHT+ BASIC



DATA SHEET

LINEAR PROFILE LED PRB1616 PROLIGHT+

LED PROFILE :

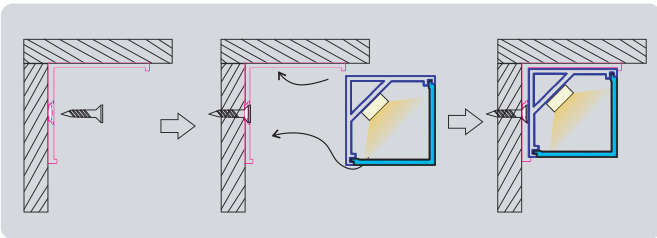


SPECIFICATIONS :

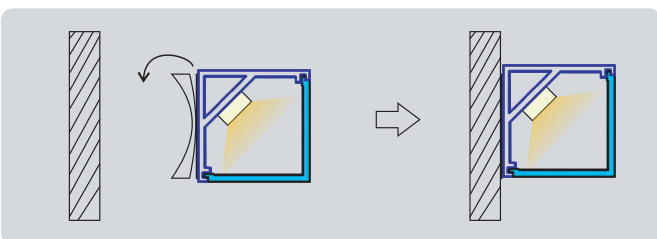
Application	Apparent, Encastrable
Material	Aluminium 1060 & PC
Surface processing	Silver Anodization
Length	3m
Color	Argent
Cover	Frosted - Milky
Accessories	Plastic end caps, Mounting clip
Strip Led	Up to a width of 10mm (It is recommended to use 120pcs led/m to avoid visible dots).
Power	Max 14.4W/M
IP Rating	IP20

SERVICE ENVIRONMENT AND INSTALLATION:

1 With clip

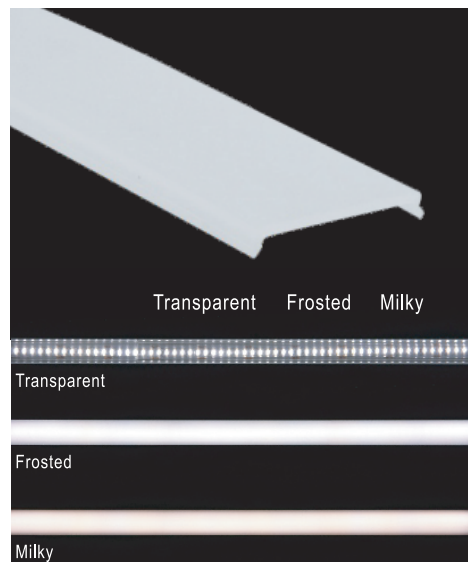


1 With double sided tap



ACCESSORIES :

LED Profile in Aluminum 1~3meter



PC Cover

