

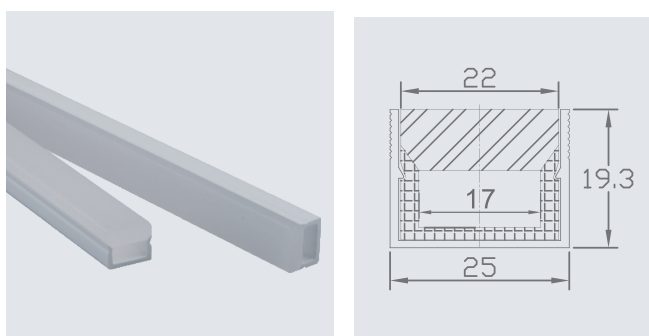
PROLIGHT+ BASIC



DATA SHEET

WATERPROOF LINEAR PROFILE LED PRIPO04 PROLIGHT+

LED PROFILE :

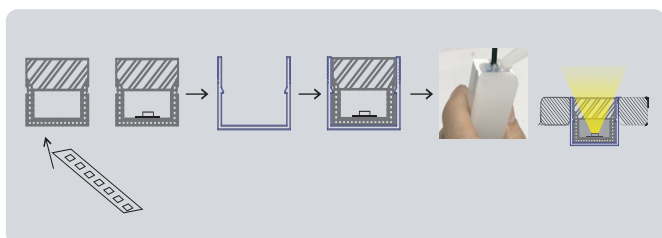


SPECIFICATIONS :

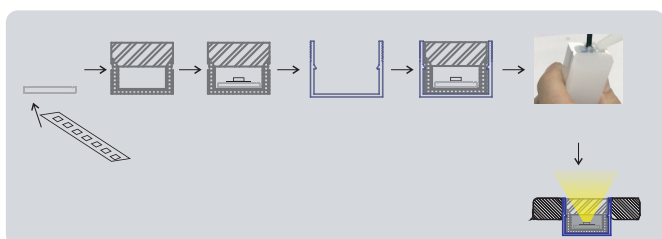
Application	Apparent, Encastrable
Material	Aluminium 1060 & PC
Surface processing	Silver Anodization
Length	3m
Color	Silver + White
Cover	Frosted - Milky
Accessories	Plastic end caps, Mounting clip
Strip Led	Up to a width of 17mm (It is recommended to use 120pcs led/m to avoid visible dots).
Power	Max 14.4W/M
IP Rating	IP67

SERVICE ENVIRONMENT AND INSTALLATION:

- Put the waterproof led strip directly to led profile



- Stick the led strip with 3M tape to the flat bar.
Put the aluminum flat bar to the led profile directly.



ACCESSORIES :

LED Profile in Aluminum 1~3meter

