

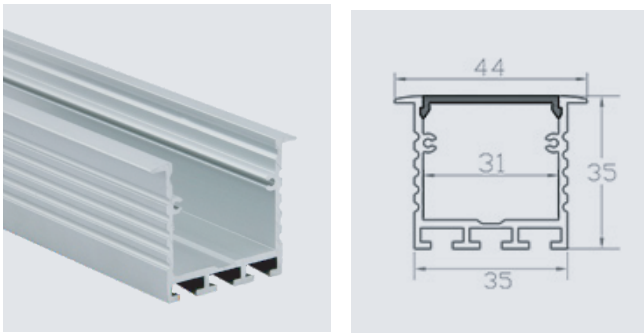
PROLIGHT+ BASIC



DATA SHEET

LINEAR PROFILE LED PRA4435 PROLIGHT+

LED PROFILE :

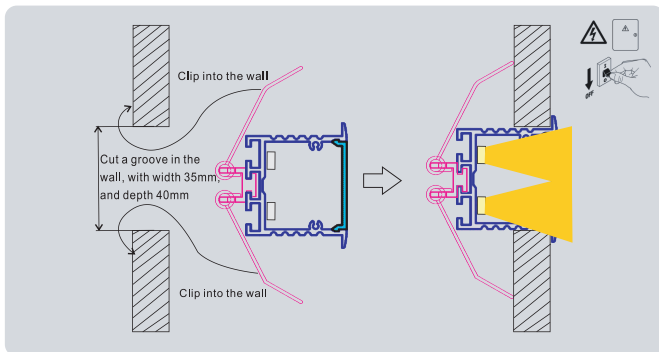


SPECIFICATIONS :

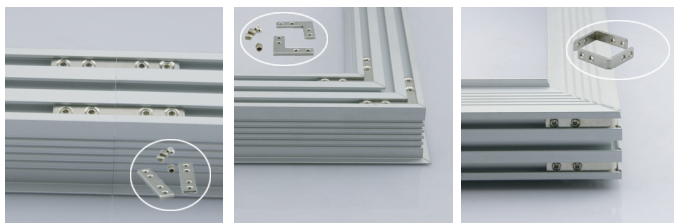
| | |
|--------------------|---|
| Application | Mounted, Recessed |
| Material | Aluminium 1060 & PC |
| Surface processing | Silver Anodization |
| Length | 2m |
| Color | Silver |
| Cover | Frosted - Milky |
| Accessories | Plastic end cap+screws, Metal end cap+screws, Mounting clip, steel rope, connectors |
| Strip Led | 2 lines of LED Strip (Better to use 120pcs led/m to avoid dots) |
| Power | Max. 28.8W/m |
| IP Rating | IP20 |

SERVICE ENVIRONMENT AND INSTALLATION:

1 With clip

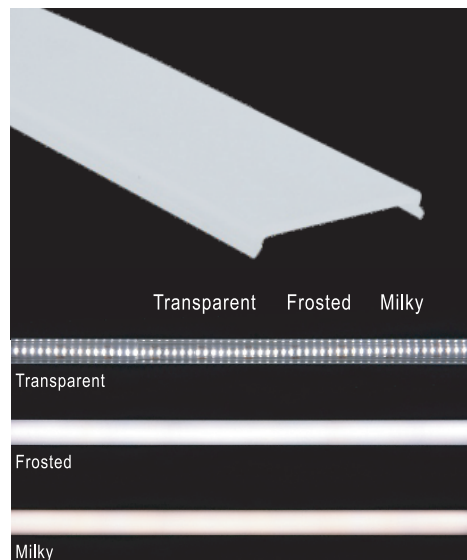


1 With connector



ACCESSORIES :

LED Profile in Aluminum 1~3meter



PC Cover

